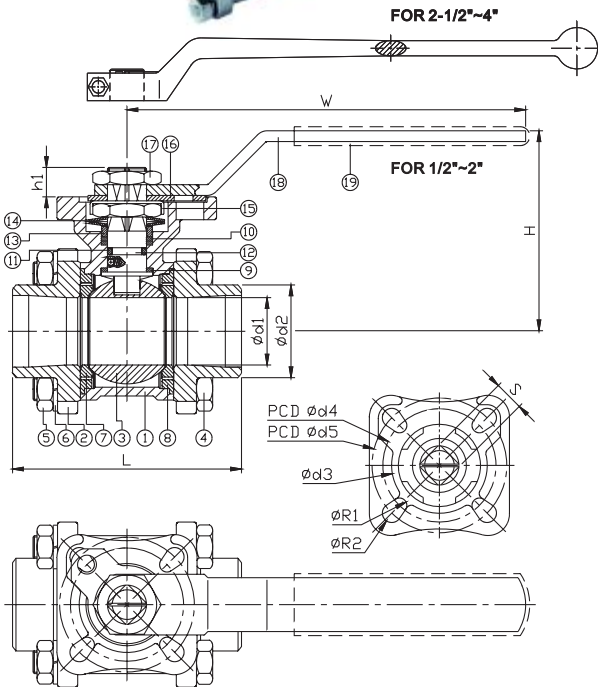




3-PC. BUTT WELD END BALL VALVE

2012ND

★ ECONOMIC PATTERN



FEATURES

- Full port, 1/4"~4" (DN8~DN100)
- W.P. : 1000 WOG (PN63)
- W.T. : -20°C~200°C (-4°F~392°F)
- Investment casting
- Blow-out proof stem
- Live-loading device
- Locking device
- Anti-static device
- ISO 5211 direct mounting pad
- Length conform to DIN 3202/4-M3-2012ND-M3 (option)
- Automation accessories (option)
- Butt weld ends conform to ANSI B16.25 & DIN 3239 part1

ITEM	PARTS	MATERIAL
1	BODY	ASTM A351-CF8M
2	CAP	
3	BALL	
4	BOLT	ANSI 304
5	NUT	
6	SPRING WASHER	PTFE / RTFE
7	SEAT	
8	SEAL	PTFE
9	THRUST WASHER	
10	PACKING	VITON
11	O-RING	
12	STEM	ASTM A276-316
13	GLAND RING	AISI 304
14	BELLEVILLE WASHER	AISI 301
15	LOCKING WASHER	AISI 304
16	LOCKING DEVICE	
17	STEM NUT	
18	HANDLE	PVC
19	HANDLE SLEEVE	

DN	d1	d2	L	H	W	S	h1	d3	d4	d5	R1	R2	Torque (N·M)	
													Breakaway	Action
15	15	22.3	65	60	120	9	8.5	31	36	42	2.75	2.75	7.5	5
20	20	27.7	75	64									11	8.5
25	25	34.4	85	74									14	12
32	32	43.2	101	79	148	11	11	35.5	42	50	2.75	3.5	21	19.5
40	38	49.3	112	95									27	24.5
50	50	61.5	130	103									50	43
65	63	74.5	162	141	178	14	13.5	56	50	70	3.5	4.5	85	70
80	76	91	188	150									97	85
100	96	115.5	224	188									22	22.5

unit : m m

NPS	d1	d2	L	H	W	S	h1	d3	d4	d5	R1	R2	Torque (in·lb)	
													Breakaway	Action
1/2"	0.59	0.88	2.56	2.36	4.72	0.35	0.33	1.22	1.42	1.65	0.11	0.11	66.38	44.25
3/4"	0.79	1.09	2.95	2.52									97.36	75.23
1"	0.98	1.35	3.35	2.91									123.91	106.21
1-1/4"	1.26	1.7	3.98	3.11	5.83	0.43	0.43	1.4	1.65	1.97	0.11	0.14	185.86	172.59
1-1/2"	1.5	1.94	4.41	3.74									238.97	216.84
2"	1.97	2.42	5.12	4.06									442.54	380.58
2-1/2"	2.48	2.93	6.38	5.55	7.01	0.55	0.53	2.2	1.97	2.76	0.14	0.18	752.31	619.55
3"	2.99	3.58	7.40	5.89									858.52	752.31
4"	3.78	4.55	8.82	7.38									1327.61	1106.34

unit : in



8F., No.201, Sec. 2, Tiding Blvd., Neihs District, Taipei City 114, Taiwan R.O.C.
 TEL: +886-2-26585800 FAX: +886-2-26582266 / 27997766

[Http://www.haitima.com.tw](http://www.haitima.com.tw)
 Email: haitima@seed.net.tw