



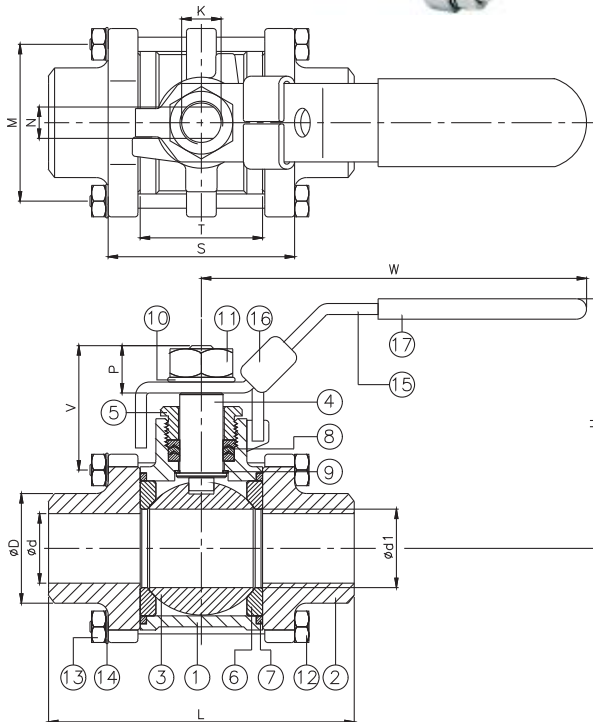
3-PC. BUTT WELD END BALL VALVE

2012



FEATURES

- Full port, 1/4"~4" (DN8~DN100)
- W.P. : 1000 WOG (PN63)
- W.T. : -20°C~200°C (-4°F~392°F)
- Investment casting
- Blow-out proof stem
- Anti-static device (option)
- Locking device
- Butt weld ends conform to ANSI B16.25 & DIN 3239 part1



| ITEM | PARTS | MATERIAL | | |
|------|----------------|--------------------|---------------|---------------|
| 1 | BODY | ASTM A351-CF8M | ASTM A216-WCB | ASTM A351-CF8 |
| 2 | CAP | | | |
| 3 | BALL | ASTM A351-CF8M | | |
| 4 | STEM | ASTM A276-316 | | |
| 5 | GLAND NUT | AISI 304 | | |
| 6 | SEAT | PTFE / RTFE / CTFE | | |
| 7 | SEAL | | | |
| 8 | PACKING | PTFE | | |
| 9 | THRUST WASHER | | | |
| 10 | SPRING WASHER | | | |
| 11 | STEM NUT | | | |
| 12 | BOLT | | | |
| 13 | BOLT NUT | AISI 304 | | |
| 14 | SPRING WASHER | | | |
| 15 | HANDLE | | | |
| 16 | LOCKING DEVICE | | | |
| 17 | HANDLE SLEEVE | PVC | | |

| DN | d | D | d1 | L | H | W | S | T | M | N | V | P | K | Weight (kg) |
|-----|------|------|------|-------|-----|-------|------|------|------|-----|------|------|----------|-------------|
| 8 | 8 | 13.5 | 12.7 | 64.5 | 54 | 102 | 35.5 | 21.5 | 29 | 5 | 29.7 | 10.5 | 5/16"UNC | 0.41 |
| 10 | 12.7 | 17.5 | 12.7 | 64.5 | 54 | 102 | 35.5 | 21.5 | 29 | 5 | 29.7 | 10.5 | 5/16"UNC | 0.41 |
| 15 | 15 | 22 | 15 | 66 | 57 | 102 | 38 | 24 | 33.2 | 5 | 30.1 | 10.5 | 5/16"UNC | 0.52 |
| 20 | 20 | 27 | 20 | 83.5 | 66 | 120.5 | 43 | 28 | 37.5 | 6.5 | 36.5 | 13.5 | 3/8"UNC | 0.71 |
| 25 | 25 | 34 | 25 | 95 | 76 | 158.5 | 54 | 35 | 42.4 | 8 | 40.6 | 15.5 | 7/16"UNC | 1.08 |
| 32 | 32 | 42.5 | 32 | 111.2 | 81 | 158.5 | 65 | 45 | 50.9 | 8 | 41.8 | 15.5 | 7/16"UNC | 1.71 |
| 40 | 38 | 48.5 | 38 | 129.8 | 98 | 188 | 75 | 55 | 59.4 | 9 | 48.5 | 17.5 | 1/2"UNC | 2.35 |
| 50 | 50 | 61 | 50 | 151 | 106 | 188 | 88 | 66 | 73.4 | 9 | 49.4 | 17.5 | 1/2"UNC | 3.55 |
| 65 | 65 | 73 | 65 | 184 | 138 | 245 | 114 | 86 | 96.5 | 12 | 72.1 | 33 | 3/4"UNC | 8.9 |
| 80 | 80 | 90 | 80 | 209 | 154 | 245 | 132 | 100 | 81 | 12 | 65.6 | 33 | 3/4"UNC | 14.3 |
| 100 | 100 | 115 | 100 | 235 | 178 | 320 | 158 | 125 | 102 | 16 | 76.2 | 39 | 1"UNC | 23.4 |

unit:mm

| NPS | d | D | d1 | L | H | W | S | T | M | N | V | P | K | Weight (lb) |
|--------|------|------|------|------|------|------|------|------|------|------|------|------|----------|-------------|
| 1/4" | 0.31 | 0.53 | 0.5 | 2.54 | 2.13 | 4.02 | 1.4 | 0.85 | 1.14 | 0.2 | 1.17 | 0.41 | 5/16"UNC | 0.9 |
| 3/8" | 0.5 | 0.69 | 0.5 | 2.54 | 2.13 | 4.02 | 1.4 | 0.85 | 1.14 | 0.2 | 1.17 | 0.41 | 5/16"UNC | 0.9 |
| 1/2" | 0.59 | 0.87 | 0.59 | 2.6 | 2.24 | 4.02 | 1.5 | 0.94 | 1.31 | 0.2 | 1.19 | 0.41 | 5/16"UNC | 1.15 |
| 3/4" | 0.79 | 1.06 | 0.79 | 3.29 | 2.6 | 4.74 | 1.69 | 1.1 | 1.48 | 0.26 | 1.44 | 0.53 | 3/8"UNC | 1.57 |
| 1" | 0.98 | 1.34 | 0.98 | 3.74 | 2.99 | 6.24 | 2.13 | 1.38 | 1.67 | 0.31 | 1.6 | 0.61 | 7/16"UNC | 2.38 |
| 1-1/4" | 1.26 | 1.67 | 1.26 | 4.38 | 3.19 | 6.24 | 2.56 | 1.77 | 2 | 0.31 | 1.65 | 0.61 | 7/16"UNC | 3.77 |
| 1-1/2" | 1.5 | 1.91 | 1.5 | 5.11 | 3.86 | 7.4 | 2.95 | 2.17 | 2.34 | 0.35 | 1.91 | 0.69 | 1/2"UNC | 5.18 |
| 2" | 1.97 | 2.4 | 1.97 | 5.94 | 4.17 | 7.4 | 3.46 | 2.60 | 2.89 | 0.35 | 1.94 | 0.69 | 1/2"UNC | 7.83 |
| 2-1/2" | 2.56 | 2.87 | 2.56 | 7.24 | 5.43 | 9.65 | 4.49 | 3.39 | 3.8 | 0.47 | 2.84 | 1.3 | 3/4"UNC | 19.62 |
| 3" | 3.15 | 3.54 | 3.15 | 8.23 | 6.06 | 9.65 | 5.2 | 3.94 | 3.19 | 0.47 | 2.58 | 1.3 | 3/4"UNC | 31.53 |
| 4" | 3.94 | 4.53 | 3.94 | 9.25 | 7.01 | 12.6 | 6.22 | 4.92 | 4.02 | 0.63 | 3 | 1.54 | 1"UNC | 51.6 |

unit:in



8F., No.201, Sec. 2, Tiding Blvd., Neihs District, Taipei City 114, Taiwan R.O.C.
 TEL: +886-2-26585800 FAX: +886-2-26582266 / 27997766

[Http://www.haitima.com.tw](http://www.haitima.com.tw)
 Email: haitima@seed.net.tw