



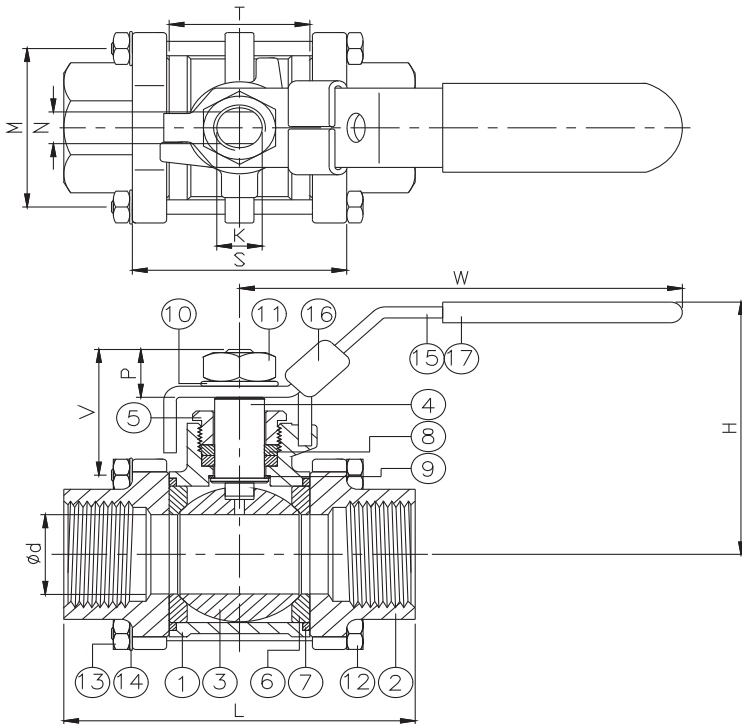
# 3-PC. SCREWED END BALL VALVE

# 2013



## FEATURES

- Full port, 1/4"~4" (DN8~DN100)
- W.P. : 1000 WOG (PN63)
- W.T. : -20°C~200°C (-4°F~392°F)
- Investment casting
- Blow-out proof stem
- Anti-static device (option)
- Locking device
- Thread type : ASME B1.20.1 (NPT)  
DIN2999 & BS21  
ISO228/1 & ISO7/1



ITEM	PARTS	MATERIAL	
1	BODY	ASTM A351-CF8M	ASTM A216-WCB
2	CAP		
3	BALL	ASTM A351-CF8M	
4	STEM	ASTM A276-316	
5	GLAND NUT	AISI 304	
6	SEAT	PTFE / RTFE	
7	SEAL		
8	PACKING	PTFE	
9	THRUST WASHER		
10	SPRING WASHER		
11	STEM NUT		
12	BOLT	AISI 304	
13	BOLT NUT		
14	SPRING WASHER		
15	HANDLE		
16	LOCKING DEVICE		
17	HANDLE SLEEVE	PVC	

DN	d	L	H	W	S	T	M	N	V	P	K	Weight(kg)
8	11.6	64.5	54	102	35.5	21.5	29	5	29.7	10.5	5/16"UNC	0.41
10	12.7	64.5	54	102	35.5	21.5	29	5	29.7	10.5	5/16"UNC	0.41
15	15	66	57	102	38	24	33.2	5	30.1	10.5	5/16"UNC	0.52
20	20	83.5	66	120.5	43	28	37.5	6.5	36.5	13.5	3/8"UNC	0.71
25	25	95	76	158.5	54	35	42.4	8	40.6	15.5	7/16"UNC	1.08
32	32	111.2	81	158.5	65	45	50.9	8	41.8	15.5	7/16"UNC	1.71
40	38	129.8	98	188	75	55	59.4	9	48.5	17.5	1/2"UNC	2.35
50	50	151	106	188	88	66	73.4	9	49.4	17.5	1/2"UNC	3.55
65	65	184	138	245	114	86	96.5	12	72.1	33	3/4"UNC	8.9
80	80	209	154	245	132	100	81	12	65.6	33	3/4"UNC	14.3
100	100	234.4	178	320	158	125	102	16	78.2	39	1"UNC	23.4

unit:mm

NPS	d	L	H	W	S	T	M	N	V	P	K	Weight(lb)
1/4"	0.46	2.54	2.13	4.02	1.4	0.85	1.14	0.2	1.17	0.41	5/16"UNC	0.9
3/8"	0.5	2.54	2.13	4.02	1.4	0.85	1.14	0.2	1.17	0.41	5/16"UNC	0.9
1/2"	0.59	2.6	2.24	4.02	1.5	0.94	1.31	0.2	1.19	0.41	5/16"UNC	1.15
3/4"	0.79	3.29	2.6	4.74	1.69	1.1	1.48	0.26	1.44	0.53	3/8"UNC	1.57
1"	0.98	3.74	2.99	6.24	2.13	1.38	1.67	0.31	1.6	0.61	7/16"UNC	2.38
1-1/4"	1.26	4.38	3.19	6.24	2.56	1.77	2	0.31	1.65	0.61	7/16"UNC	3.77
1-1/2"	1.5	5.11	3.86	7.4	2.95	2.17	2.34	0.35	1.91	0.69	1/2"UNC	5.18
2"	1.97	5.94	4.17	7.4	3.46	2.6	2.89	0.35	1.94	0.69	1/2"UNC	7.83
2-1/2"	2.56	7.24	5.43	9.65	4.49	3.39	3.8	0.47	2.84	1.3	3/4"UNC	19.62
3"	3.15	8.23	6.06	9.65	5.2	3.94	3.19	0.47	2.58	1.3	3/4"UNC	31.53
4"	3.94	9.23	7.01	12.6	6.22	4.92	4.02	0.63	3.08	1.54	1"UNC	51.6

unit:in



8F., No.201, Sec. 2, Tiding Blvd., Neihu District, Taipei City 114, Taiwan R.O.C.  
 TEL: +886-2-26585800 FAX: +886-2-26582266 / 27997766

[Http://www.haitima.com.tw](http://www.haitima.com.tw)  
 Email: [haitima@seed.net.tw](mailto:haitima@seed.net.tw)