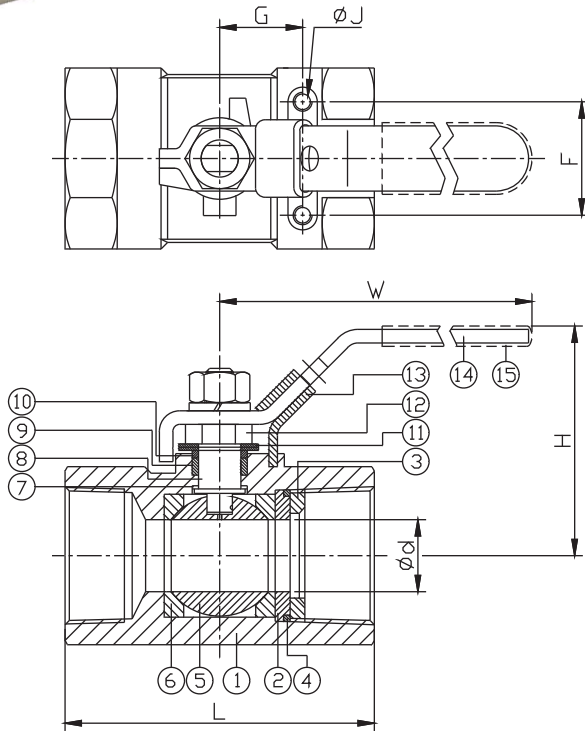




FEATURES

- Reduced port, 1/2"~2" (DN15~DN50)
- W.P. : 2000 WOG (PN150)
- W.T. : -20°C~200°C (-4°F~392°F)
- Investment casting
- Blow-out proof stem
- Anti-static device (option)
- Locking device
- Tapped & drilled mounting pad
- **API 607 Fire safe approved**
- Thread type : ASME B1.20.1 (NPT)
DIN2999 & BS21
ISO228/1 & ISO7/1



ITEM	PARTS	MATERIAL	
1	BODY	ASTM A351-CF8M	ASTM A216-WCB
2	RETAINER NUT		
3	SEAT RETAINER		
4	SEAL	GRAPHITE	
5	BALL	ASTM A351-CF8M	
6	SEAT	RTFE	
7	THRUST WASHER	GRAPHITE	
8	STEM	AISI 316	
9	PACKING	GRAPHITE	
10	GLAND RING	AISI 304	
11	BELLEVILLE WASHER	AISI 301	
12	HANDLE NUT	AISI 304	
13	LOCKING DEVICE		
14	HANDLE		
15	HANDLE SLEEVE	PVC	

DN	d	L	H	W	F	G	J
15	9.2	67	44	111	28.5	12.7	NO.10-24UNS
20	12.5	71	47.5	111	28.5	12.7	NO.10-24UNS
25	16	85	60	141.5	34.8	22.1	NO.10-24UNS
32	20	94	65	141.5	34.8	22.1	NO.10-24UNS
40	24.5	100	71	161.5	38.1	23.6	1/4"-20UNS
50	32	118	76.5	161.5	38.1	23.6	1/4"-20UNS

unit:mm

NPS	d	L	H	W	F	G	J
1/2"	0.36	2.64	1.73	4.37	1.12	0.5	NO.10-24UNS
3/4"	0.49	2.8	1.87	4.37	1.12	0.5	NO.10-24UNS
1"	0.63	3.35	2.36	5.57	1.37	0.87	NO.10-24UNS
1-1/4"	0.79	3.7	2.56	5.57	1.37	0.87	NO.10-24UNS
1-1/2"	0.96	3.94	2.8	6.36	1.5	0.93	1/4"-20UNS
2"	1.26	4.65	3.01	6.36	1.5	0.93	1/4"-20UNS

unit:in



8F., No.201, Sec. 2, Tiding Blvd., Neihu District, Taipei City 114, Taiwan R.O.C.
 TEL: +886-2-26585800 FAX: +886-2-26582266 / 27997766

[Http://www.haitima.com.tw](http://www.haitima.com.tw)
 Email: haitima@seed.net.tw