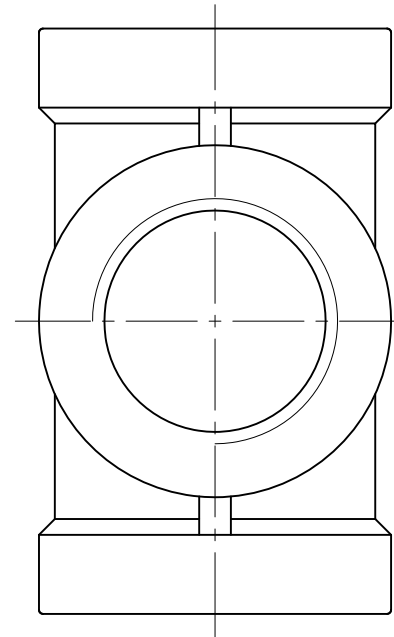
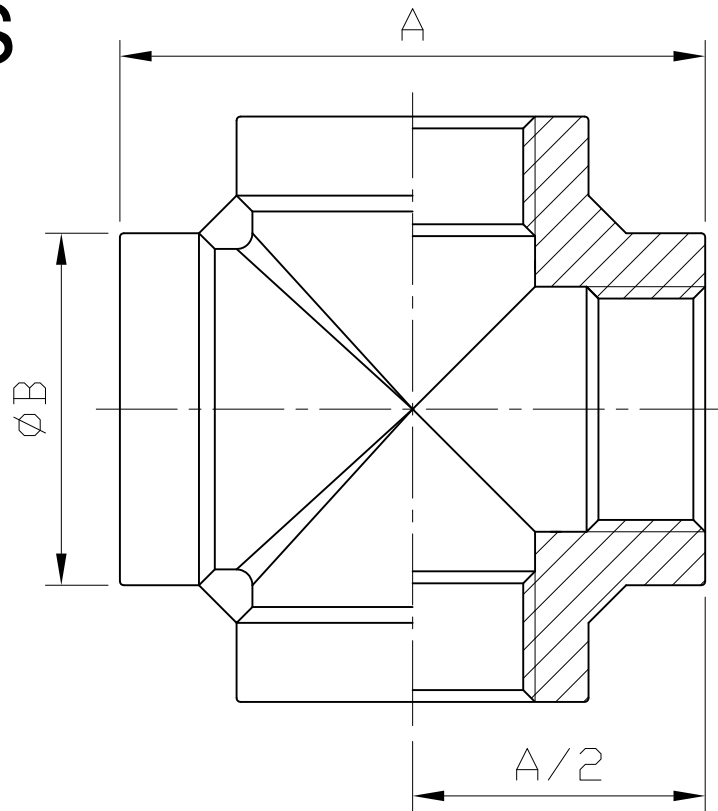


Ra	0.2	▽▽▽▽
1.6	▽▽	▽▽▽▽
6.3	▽	▽▽
25	▽	▽
Q	~	

GENERAL TOLERANCE	± 0.1
0.5-5	± 0.2
6-30	± 0.3
31-120	± 0.5
121-320	± 0.8
321-1000	± 0.8

HAITIMA CORPORATION  
 P.O.BOX 34-36 TAIPEI  
 Tel:+886-2-26585800  
 E-mail:haitima@seednet.tw  
 TAIWAN R.O.C. www.haitimo.com.tw  
 Fax:+886-2-26582266

# CROSS



SIZE	1/8"		1/4"		3/8"		1/2"		3/4"		1"		1-1/4"		1-1/2"		2"		2-1/2" (NPT)		2-1/2" (PS)		3"		4"	
	mm	in	mm	in	mm	in	mm	in	mm	in	mm	in	mm	in	mm	in	mm	in	mm	in	mm	in	mm	in	mm	in
A	34.1	1.34	38	1.5	44	1.73	55	2.17	63.4	2.5	73.2	2.88	85.6	3.37	89.8	3.54	108	4.25	128	5.04	137.2	5.4	143	5.63	180	7.09
B	14.8	0.58	18.5	0.73	22.1	0.87	28.8	1.13	33.7	1.33	42	1.65	50.4	1.98	57.1	2.25	69.2	2.72	85	3.35	89.2	3.51	99.5	3.92	126	4.96

Tolerance:  $\pm 0.5\text{mm}(1/8''\sim 2'')$   
 $\pm 0.8\text{mm}(2-1/2''\sim 4'')$

△			
△			
△			
Revise	Description	Date	Approve
DRAWING NO. <b>F05</b>		<b>-09</b>	



**HAITIMA CORPORATION**  
 Ball Valves & Pipe Fittings

CHECK BY	DRAWING BY	DATE	SPECIFICATION
	<i>Dune</i>	Jun.29.2009	Cross
			MATERIAL 304/316
			PROCESS/Nr.
			UNIT / SCALE mm

